

OBSTRUCT



Primarily used for:

- City centers
- Public parks
- Squares
- Roads
- Events



OBSTRUCT plinths



Materials

Molded white/black/grey poured, armoured concrete. Highly durable and weather-resistant.

Concrete is a dynamic material. Minor shrinkage cracks may occur over time.

Variants

Available in white, grey or black concrete - or dyed to client specifications. Extra units may be mounted in the 3 x M16 threads in the top of each unit.

Accessories

3 x M16 steel eyebolts - stainless or painted red.

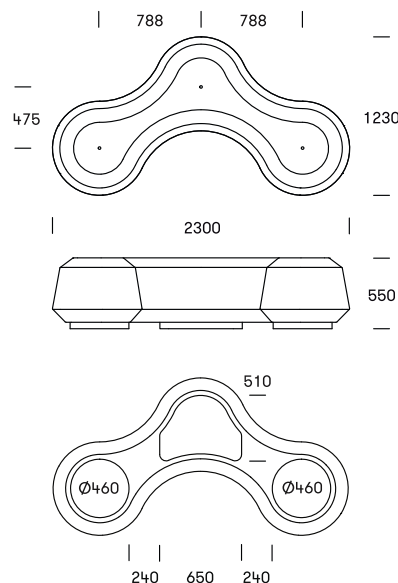
OBSTRUCT concrete plinths are designed for streets, squares and temporary installations that call for a combination of security and low visual impact.

These organically shaped concrete plinths feature 3 adjoining 'islands'. Elements are non-directional and may be arranged in formations to create small spaces or paths between products.

The shape and height of 55 cm inviting pedestrians to stop and rest. They support living, inviting urban spaces and can replace concrete barriers currently being positioned in city streets to temporarily reduce vehicle speed..

- Positions directly on the ground. Weight of 1.5 ton eliminates need for mounting.
- Hollows in the bottom for forklifts and 3 x M16 threads in the top for 3-point lifting.
- Maintenance free. We recommend anti-graffiti coating to ensure easy removal of dirt and tags.

Dimensions: 2300 x 1230 x 550mm. Seating height 550mm.



Colours (approx. RAL):

White: RAL 9002

Black: RAL 7016

Grey: RAL 7004